



duet®

**ELECTRONIC
GAS DRYER**

Use & Care Guide

In the U.S.A., for questions about features, operation/performance,
parts, accessories or service call:
1-800-253-1301
or visit our website at... www.whirlpool.com

Table of Contents..... 2

Model GGW9260

TABLE OF CONTENTS

DRYER SAFETY	3	Pausing or Restarting.....	15
INSTALLATION INSTRUCTIONS	5	Control Locked.....	15
Tools and Parts.....	5	Loading.....	15
Options.....	5	Drying and Cycle Tips.....	16
Location Requirements.....	6	Status Lights.....	16
Electrical Requirements.....	7	Cycles.....	17
Gas Supply Requirements.....	8	Additional Features.....	18
Venting Requirements.....	9	Drying Rack.....	18
Plan Vent System.....	10	DRYER CARE	19
Install Vent System.....	11	Cleaning the Dryer Location.....	19
Install Leveling Legs.....	12	Cleaning the Lint Screen.....	19
Level Dryer.....	12	Cleaning the Dryer Interior.....	20
Make Gas Connection.....	12	Removing Accumulated Lint.....	20
Connect Vent.....	13	Vacation and Moving Care.....	20
Complete Installation.....	13	Changing the Drum Light.....	20
DRYER USE	14	TROUBLESHOOTING	21
Starting Your Dryer.....	14	ASSISTANCE OR SERVICE	22
Stopping Your Dryer.....	15	WARRANTY	24

DRYER SAFETY

Your safety and the safety of others are very important.

We have provided many important safety messages in this manual and on your appliance. Always read and obey all safety messages.



This is the safety alert symbol.

This symbol alerts you to potential hazards that can kill or hurt you and others.

All safety messages will follow the safety alert symbol and either the word "DANGER" or "WARNING."

These words mean:

⚠ DANGER

You can be killed or seriously injured if you don't immediately follow instructions.

⚠ WARNING

You can be killed or seriously injured if you don't follow instructions.

All safety messages will tell you what the potential hazard is, tell you how to reduce the chance of injury, and tell you what can happen if the instructions are not followed.

WARNING: For your safety, the information in this manual must be followed to minimize the risk of fire or explosion, or to prevent property damage, personal injury, or death.

- Do not store or use gasoline or other flammable vapors and liquids in the vicinity of this or any other appliance.
- **WHAT TO DO IF YOU SMELL GAS:**
 - Do not try to light any appliance.
 - Do not touch any electrical switch; do not use any phone in your building.
 - Clear the room, building, or area of all occupants.
 - Immediately call your gas supplier from a neighbor's phone. Follow the gas supplier's instructions.
 - If you cannot reach your gas supplier, call the fire department.
- Installation and service must be performed by a qualified installer, service agency, or the gas supplier.

In the State of Massachusetts, the following installation instructions apply:

- Installations and repairs must be performed by a qualified or licensed contractor, plumber, or gasfitter qualified or licensed by the State of Massachusetts.
- If using a ball valve, it shall be a T-handle type.
- A flexible gas connector, when used, must not exceed 3 feet.

IMPORTANT SAFETY INSTRUCTIONS

WARNING: To reduce the risk of fire, electric shock, or injury to persons when using the dryer, follow basic precautions, including the following:

- Read all instructions before using the dryer.
- Do not place items exposed to cooking oils in your dryer. Items contaminated with cooking oils may contribute to a chemical reaction that could cause a load to catch fire.
- Do not dry articles that have been previously cleaned in, washed in, soaked in, or spotted with gasoline, dry-cleaning solvents, other flammable, or explosive substances as they give off vapors that could ignite or explode.
- Do not allow children to play on or in the dryer. Close supervision of children is necessary when the dryer is used near children.
- Before the dryer is removed from service or discarded, remove the door to the drying compartment.
- Do not reach into the dryer if the drum is moving.
- Do not install or store the dryer where it will be exposed to the weather.
- Do not tamper with controls.
- Do not repair or replace any part of the dryer or attempt any servicing unless specifically recommended in this Use and Care Guide or in published user-repair instructions that you understand and have the skills to carry out.
- Do not use fabric softeners or products to eliminate static unless recommended by the manufacturer of the fabric softener or product.
- Do not use heat to dry articles containing foam rubber or similarly textured rubber-like materials.
- Clean lint screen before or after each load.
- Keep area around the exhaust opening and adjacent surrounding areas free from the accumulation of lint, dust, and dirt.
- The interior of the dryer and exhaust vent should be cleaned periodically by qualified service personnel.
- See installation instructions for grounding requirements.

SAVE THESE INSTRUCTIONS

IMPORTANT: The gas installation must conform with local codes, or in the absence of local codes, with the National Fuel Gas Code, ANSI Z223.1/NFPA 54.

The dryer must be electrically grounded in accordance with local codes, or in the absence of local codes, with the National Electrical Code, ANSI/NFPA 70.

INSTALLATION INSTRUCTIONS

Tools and Parts

Check that you have everything necessary for correct installation. Proper installation is your responsibility.

- 8" or 10" pipe wrench
- 8" or 10" adjustable wrench (for gas connections)
- Flat-blade screwdriver
- Adjustable wrench that opens to 1" (2.5 cm) or hex-head socket wrench (for adjusting dryer feet)
- Level
- ¼" nut driver or socket wrench
- Knife
- Safety glasses
- Vent clamps
- Pipe-joint compound resistant to L.P. gas
- Caulking gun and compound (for installing new exhaust vent)
- Gloves
- Pliers

Parts supplied

Remove parts packages from dryer drum. Check that all parts are included.

- Parts package.



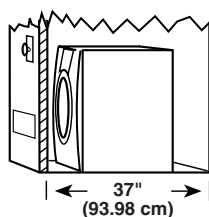
4 Leveling legs

NOTE: Do not use leveling legs if installing the dryer on a pedestal.

Parts needed

Check local codes and with gas supplier. Check existing gas supply, electrical supply and venting. Read "Electrical Requirements," "Gas Supply Requirements" and "Venting Requirements" before purchasing parts.

- For close-clearance installations between 31.5" (80.01 cm) and 37" (93.98 cm), see "Plan Vent System" section for venting requirements.



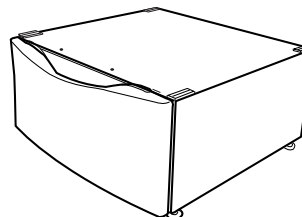
Mobile home installations require special parts (listed following) that may be ordered by calling the dealer from whom you purchased your dryer. For further information, please refer to the "Assistance or Service" section of this manual.

- Mobile Home Installation Kit. Ask for Part Number 346764.
- Metal exhaust system hardware.

Options

Pedestal

Are you placing the dryer on a pedestal? You may purchase a pedestal separately for this dryer. This pedestal will add about 13" (33 cm) to the height of your unit for a total height of approximately 51" (130 cm).



Optional pedestal

To order, call the dealer from whom you purchased your dryer or refer to the "Assistance or Service" section of this manual. Ask for Part Number LAB2700MQ (White), LAB2700MT (Biscuit) or LAB2700ML (Pewter).

Stack Kit

Are you planning to stack your DUET® washer and dryer? To do so, you will need to purchase a Stack Kit.

To order, call the dealer from whom you purchased your dryer or refer to the "Assistance or Service" section of this manual. Ask for Part Number 8541503.

Door Reversal Kit

Are you planning to reverse the door swing direction on your DUET® dryer? To do so, you will need to purchase a Door Reversal Kit.

To order, call the dealer from whom you purchased your dryer or refer to the "Assistance or Service" section of this manual. Ask for Part Number 8530069 (Shield Blue), 8530070 (Shield Platinum), 8530071 (Biscuit) or 8530072 (Pewter).

Door Reversal and Stack Combination Kit

Are you planning to reverse the door swing direction on your DUET® dryer and stack your DUET® washer and dryer? To do so, you can purchase a Door Reversal and Stack Combination Kit.

To order, call the dealer from whom you purchased your dryer or refer to the "Assistance and Service" section of this manual. Ask for Part Number 8530073 (Shield Blue), 8530074 (Shield Platinum), 8530075 (Biscuit) or 8530076 (Pewter).

Backguard

If you are installing your DUET® washer and dryer and wish to avoid having loose items fall behind your machines, you may purchase a pair of washer/dryer backguards. These will reduce the chance of items falling behind the machines during operation.

To order, call the dealer from whom you purchased your dryer or refer to the "Assistance or Service" section of this manual. Ask for Part Number 8558694 (White), 8558695 (Biscuit) or 8558696 (Pewter).

Location Requirements

⚠ WARNING



Explosion Hazard

Keep flammable materials and vapors, such as gasoline, away from dryer.

Place dryer at least 18 inches (46 cm) above the floor for a garage installation.

Failure to do so can result in death, explosion, or fire.

You will need

- A location that allows for proper exhaust installation. A gas dryer must be exhausted to the outdoors. See "Venting Requirements."
- A grounded electrical outlet located within 2 ft (61 cm) of either side of the dryer. See "Electrical Requirements."
- A sturdy floor to support the total dryer weight of 200 lbs (90.7 kg). The combined weight of a companion appliance should also be considered.
- A level floor with a maximum slope of 1" (2.5 cm) under entire dryer. If slope is greater than 1" (2.5 cm), install Extended Dryer Feet Kit, Part Number 279810. Clothes may not tumble properly and automatic sensor cycles may not operate correctly if dryer is not level.
- For a garage installation, you will need to place the dryer at least 18" (46 cm) above the floor. If using a pedestal, you will need an additional 6" (15.24 cm).

Do not operate your dryer at temperatures below 45°F (7°C). At lower temperatures, the dryer might not shut off at the end of an automatic cycle. This can result in longer drying times.

The dryer must not be installed or stored in an area where it will be exposed to water and/or weather.

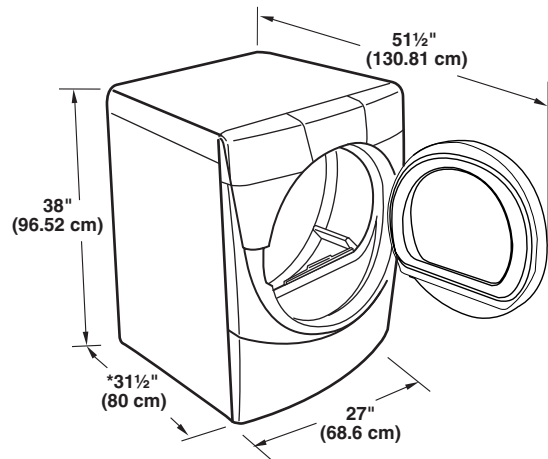
Check code requirements. Some codes limit, or do not permit, installation of the dryer in garages, closets, mobile homes, or sleeping quarters. Contact your local building inspector.

NOTE: No other fuel-burning appliance can be installed in the same closet as a dryer.

Installation clearances

- The location must be large enough to allow the dryer door to open fully.
- Additional spacing should be considered for ease of installation and servicing.
- Additional clearances might be required for wall, door and floor moldings.
- Additional spacing of 1" (2.5 cm) on all sides of the dryer is recommended to reduce noise transfer.
- Companion appliance spacing should also be considered.

Dryer Dimensions

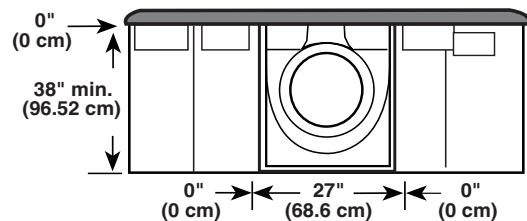


*Most installations require a minimum 5½" (14 cm) clearance behind the dryer for the exhaust vent with elbow. See "Venting Requirements."

Minimum installation spacing for custom undercounter installation

The dimensions shown are for the minimum spacing allowed.

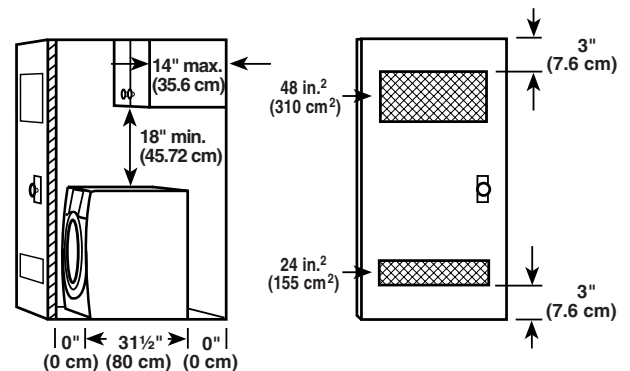
Custom undercounter installation - Dryer only



Minimum installation spacing for recessed or closet installation, with or without a pedestal

- The dimensions shown are for the minimum spacing allowed.
- For closet installation, with a door, minimum ventilation openings in the top and bottom of the door are required. Louvered doors with equivalent ventilation openings are acceptable.

Closet installation - Dryer only



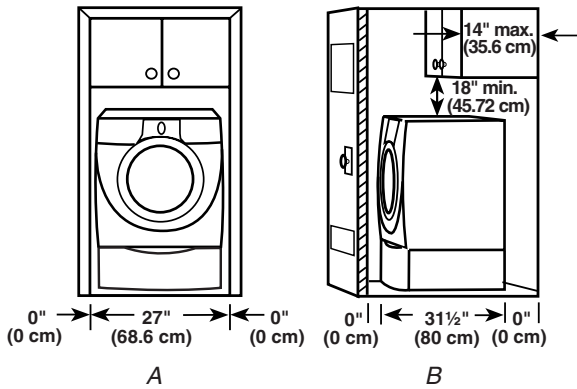
A

B

A. Side view - closet or confined area

B. Closet door with vents

Recessed or closet installation - Dryer on pedestal

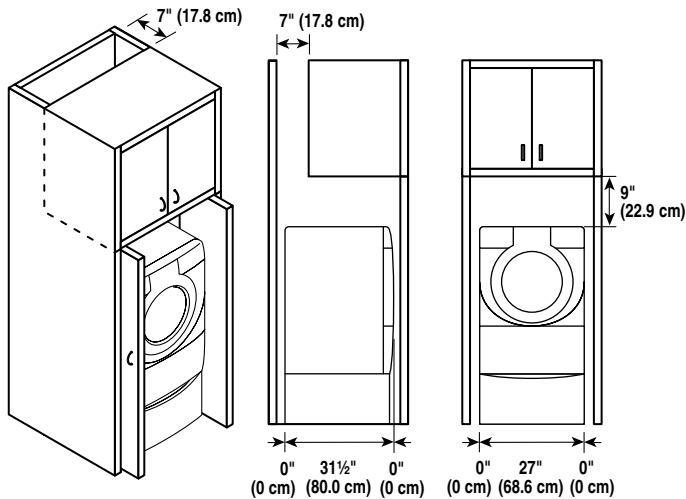


A. Recessed area

B. Side view - closet or confined area

Minimum installation spacing for cabinet installation

- The dimensions shown are for the minimum spacing allowed.
- For cabinet installation, with a door, minimum ventilation openings in the top of the cabinet are required.



Mobile home - Additional installation requirements

This dryer is suitable for mobile home installations. The installation must conform to the Manufactured Home Construction and Safety Standard, Title 24 CFR, Part 3280 (formerly the Federal Standard for Mobile Home Construction and Safety, Title 24, HUD Part 280).

Mobile home installations require:

- Metal exhaust system hardware which is available for purchase from your dealer.
- Mobile home Installation Kit Part Number 346764. See "Tools and Parts" section for ordering information.
- Special provisions must be made in mobile homes to introduce outside air into the dryer. The opening (such as a nearby window) should be at least twice as large as the dryer exhaust opening.

Electrical Requirements

⚠ WARNING



Electrical Shock Hazard

Plug into a grounded 3 prong outlet.

Do not remove ground prong.

Do not use an adapter.

Do not use an extension cord.

Failure to follow these instructions can result in death, fire, or electrical shock.

- 120-Volt, 60-Hz., AC-only, 15- or 20-amp fused electrical supply is required. (Time-delay fuse or circuit breaker is recommended.) It is recommended that a separate circuit serving only this dryer be provided.

GROUNDING INSTRUCTIONS

- For a grounded, cord-connected dryer:
This dryer must be grounded. In the event of malfunction or breakdown, grounding will reduce the risk of electric shock by providing a path of least resistance for electric current. This dryer is equipped with a cord having an equipment-grounding conductor and a grounding plug. The plug must be plugged into an appropriate outlet that is properly installed and grounded in accordance with all local codes and ordinances.

WARNING: Improper connection of the equipment-grounding conductor can result in a risk of electric shock. Check with a qualified electrician or service representative or personnel if you are in doubt as to whether the dryer is properly grounded. Do not modify the plug provided with the dryer: if it will not fit the outlet, have a proper outlet installed by a qualified electrician.

SAVE THESE INSTRUCTIONS

Gas Supply Requirements

! WARNING



Explosion Hazard

Use a new AGA or CSA approved gas supply line.

Install a shut-off valve.

Securely tighten all gas connections.

If connected to LP, have a qualified person make sure gas pressure does not exceed 13" (33 cm) water column.

Examples of a qualified person include:

licensed heating personnel,
authorized gas company personnel, and
authorized service personnel.

Failure to do so can result in death, explosion, or fire.

Gas Type

Natural gas:

This dryer is equipped for use with natural gas. It is design-certified by CSA International for L.P. (propane or butane) gases with appropriate conversion.

- Your dryer must have the correct burner for the type of gas in your home. Burner information is located on the rating plate in the door well of your dryer. If this information does not agree with the type of gas available, contact your dealer or call the phone numbers referenced in the "Assistance or Service" section of this manual.

L.P. gas conversion:

Conversion must be made by a qualified technician.

No attempt shall be made to convert the appliance from the gas specified on the model/serial rating plate for use with a different gas without consulting the serving gas supplier.

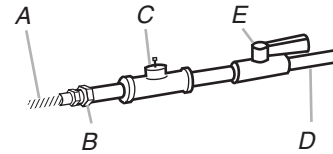
Gas supply line

- 1/2" IPS pipe is recommended.
- 3/8" approved tubing is acceptable for lengths under 20 ft (6.1 m) if local codes and gas supplier permit.
- Must include 1/8" NPT minimum plugged tapping accessible for test gauge connection, immediately upstream of the gas connection to the dryer (see following illustration).

- Must include a shutoff valve:

An individual manual shutoff valve must be installed within six (6) feet (1.8 m) of the dryer in accordance with the National Fuel Gas Code, ANSI Z223.1.

The location should be easy to reach for opening and closing.



- A. 3/8" flexible gas connector
- B. 3/8" pipe to flare adapter fitting
- C. 1/8" NPT plugged tapping
- D. 1/2" NPT gas supply line
- E. Gas shutoff valve

Gas supply connection requirements

There are many methods by which your gas dryer can be connected to the gas supply. Listed here are some guidelines for two different methods of connection.

Option 1 (Recommended method)

Flexible stainless steel gas connector:

- If local codes permit, use a new flexible stainless steel gas connector (Design Certified by the American Gas Association or CSA International) to connect your dryer to the rigid gas supply line. Use an elbow and a 3/8" flare x 3/8" NPT adapter fitting between the stainless steel gas connector and the dryer gas pipe, as needed to prevent kinking.

Option 2 (Alternate method)

Approved aluminum or copper tubing:

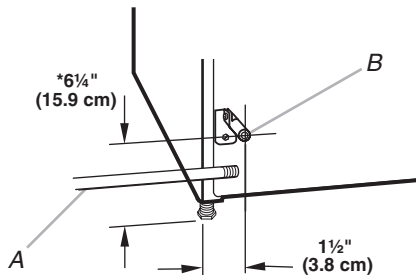
- Lengths under 20 ft (6.1 m) can use 3/8" approved tubing (if codes and gas supplier permit).
- If you are using natural gas, do not use copper tubing.
- 3/8" flare x 3/8" NPT adapter fitting between dryer pipe and 3/8" approved tubing.
- Lengths over 20 ft (6.1 m) should use larger tubing and a different size adapter fitting.
- If your dryer has been converted to use L.P. gas, 3/8" L.P. compatible copper tubing can be used. If the total length of the supply line is more than 20 ft (6.1 m), use larger tubing.

NOTE: Pipe joint compounds that resist the action of L.P. gas must be used. Do not use TEFLON^{®†} tape.

†TEFLON is a registered trademark of E.I. Du Pont De Nemours and Company.

Dryer gas pipe

- The gas pipe that comes out through the rear of your dryer has a $\frac{3}{8}$ " male pipe thread.



A. $\frac{1}{2}$ " NPT gas supply line
B. $\frac{3}{8}$ " NPT dryer pipe

***NOTE:** If the dryer is mounted on a pedestal, the gas pipe height must be an additional 13" (33 cm) from the floor.

Burner input requirements

Elevations up to 10,000 ft (3,048 meters):

- The design of this dryer is certified by CSA International for use at altitudes up to 10,000 ft (3,048 m) above sea level at the B.T.U. rating indicated on the model/serial number plate. Burner input adjustments are not required when the dryer is operated up to this elevation.

Elevations above 10,000 ft (3,048 meters):

- When installed above 10,000 ft (3,048 m) a 4% reduction of the burner B.T.U. rating shown on the model/serial number plate is required for each 1,000 ft (305 m) increase in elevation.

Gas supply pressure testing

- The dryer must be disconnected from the gas supply piping system during pressure testing at pressures greater than $\frac{1}{2}$ psi.

Venting Requirements

⚠ WARNING



Fire Hazard

Use a heavy metal vent.

Do not use a plastic vent.

Do not use a metal foil vent.

Failure to follow these instructions can result in death or fire.

WARNING: To reduce the risk of fire, this dryer **MUST BE EXHAUSTED OUTDOORS.**

4" (10.2 cm) heavy metal exhaust vent and clamps must be used. DURASAFE™ vent products are recommended.

DURASAFE™ vent products can be purchased from your dealer or by calling Whirlpool Parts and Accessories. For more information, see the "Assistance or Service" section of this manual.

- The dryer exhaust must not be connected into any gas vent, chimney, wall, ceiling, or a concealed space of a building.
- Do not use an exhaust hood with a magnetic latch.
- Do not install flexible metal vent in enclosed walls, ceilings or floors.
- Use clamps to seal all joints. Exhaust vent must not be connected or secured with screws or other fastening devices which extend into the interior of the duct. Do not use duct tape.

IMPORTANT: Observe all governing codes and ordinances.

Improper venting can cause moisture and lint to collect indoors, which may result in:

- Moisture damage to woodwork, furniture, paint, wallpaper, carpets, etc.
- Housecleaning problems and health problems.

Use a heavy metal vent. Do not use plastic or metal foil vent.

Rigid metal vent is recommended to prevent crushing and kinking.

Flexible metal vent must be fully extended and supported when the dryer is in its final position. Remove excess flexible metal vent to avoid sagging and kinking that can result in reduced airflow and poor performance.

An exhaust hood should cap the vent to prevent rodents and insects from entering the home.

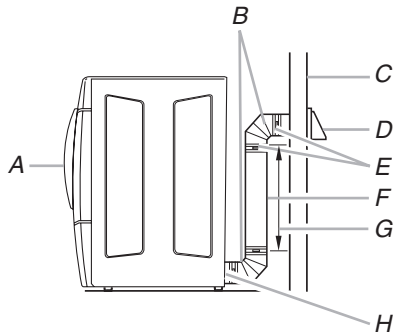
Exhaust hood must be at least 12" (30.5 cm) from the ground or any object that is in the path of the exhaust (such as flowers, rocks or bushes, etc.).

If using an existing vent system, clean lint from the entire length of the system and make sure exhaust hood is not plugged with lint. Replace any plastic or metal foil vent with rigid metal or flexible metal vent.

Plan Vent System

Typical exhaust installations

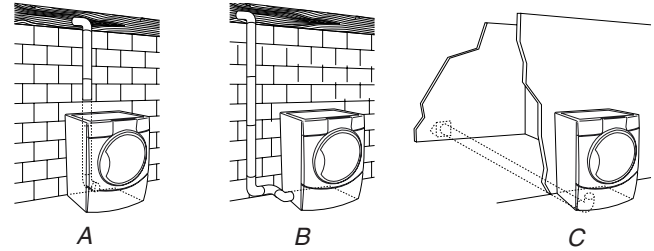
Typical installations vent the dryer from the rear of the dryer. Other installations are possible.



- A. Dryer
- B. Elbow
- C. Wall
- D. Exhaust hood
- E. Clamps
- F. Rigid metal or flexible metal vent
- G. Vent length necessary to connect elbows
- H. Exhaust outlet

Optional exhaust installations

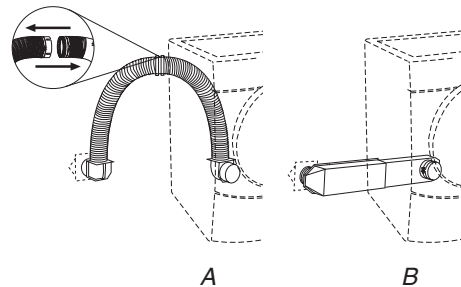
This dryer can be converted to exhaust out the right side, left side, or through the bottom. Contact your local dealer to have the dryer converted.



- A. Standard rear offset exhaust installation
- B. Left or right side exhaust installation
- C. Bottom exhaust installation (Not an option with pedestal installations.)

Alternate installations for close clearances

Venting systems come in many varieties. Select the type best for your installation. Two close-clearance installations are shown. Refer to the manufacturer's instructions.



- A. Over the top installation (also available with one offset elbow)
- B. Periscope installation

⚠ WARNING



Fire Hazard

Cover unused exhaust holes with one of the following kits:

279818 (white)

279925 (biscuit)

279969 (pewter)

Contact your local dealer.

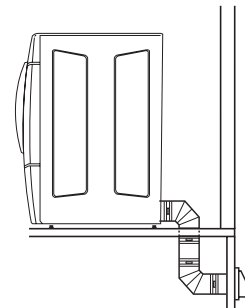
Failure to follow these instructions can result in death, fire, electrical shock, or serious injury.

NOTE: The following kits for close clearance alternate installations are available for purchase. Please see the "Assistance or Service" section of this manual to order.

- Over the top Installation:
Part Number 4396028
- Periscope Installation (For use with dryer vent to wall vent mismatch):
Part Number 4396037 - 0" (0 cm) to 18" (45.72 cm) mismatch
Part Number 4396011 - 18" (45.72 cm) to 29" (73.66 cm) mismatch
Part Number 4396014 - 29" (73.66 cm) to 50" (127 cm) mismatch

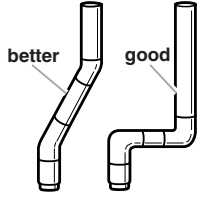
Special provisions for mobile home installations

The exhaust vent must be securely fastened to a noncombustible portion of the mobile home structure and must not terminate beneath the mobile home. Terminate the exhaust vent outside.



Determine Vent Length

1. Select the route that will provide the straightest and most direct path outdoors. Plan the installation to use the fewest number of elbows and turns. When using elbows or making turns, allow as much room as possible. Bend vent gradually to avoid kinking. Avoid 90° turns when possible.

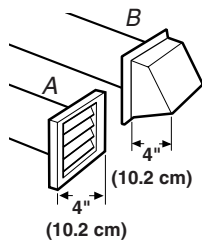


2. Determine vent length.

The maximum length of the exhaust system depends upon:

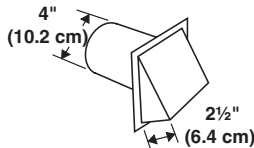
- The type of vent (rigid metal or flexible metal).
- The number of elbows used.
- Type of hood.

Recommended hood styles are shown here.



A. Louvered hood style
B. Box hood style

The angled hood style (shown following) is acceptable.



See the exhaust vent length chart that matches your hood type for the maximum vent lengths you can use.

Exhaust systems longer than specified will:

- Shorten the life of the dryer.
- Reduce performance, resulting in longer drying times and increased energy usage.

3. Determine the number of elbows you will need.

IMPORTANT: Do not use vent runs longer than those specified in the Vent Length Chart.

The following chart helps you determine your maximum vent length based on the number of 90° turns or elbows you will need and the type of vent (rigid or flexible metal) and hood that you will use.

Vent Length Chart

Number of 90° turns or elbows	Type of vent	Box or Louvered hoods	Angled hoods
0	Rigid metal	64 ft (20 m)	58 ft (17.7 m)
	Flexible metal	36 ft (11 m)	28 ft (8.5 m)
1	Rigid metal	54 ft (16.5 m)	48 ft (14.6 m)
	Flexible metal	31 ft (9.4 m)	23 ft (7 m)
2	Rigid metal	44 ft (13.4 m)	38 ft (11.6 m)
	Flexible metal	27 ft (8.2 m)	19 ft (5.8 m)
3	Rigid metal	35 ft (10.7 m)	29 ft (8.8 m)
	Flexible metal	25 ft (7.6 m)	17 ft (5.2 m)
4	Rigid metal	27 ft (8.2 m)	21 ft (6.4 m)
	Flexible metal	23 ft (7 m)	15 ft (4.6 m)

NOTE: Side and bottom exhaust installations have a 90° turn inside the dryer. To determine maximum exhaust length, add one 90° turn to the chart.

Install Vent System

1. (Optional) Put on safety glasses and gloves.
2. Install exhaust hood. Use caulking compound to seal exterior wall opening around exhaust hood.
3. Connect vent to exhaust hood. Vent must fit inside exhaust hood. Secure vent to exhaust hood with 4" (10.2 cm) clamp.
4. Run vent to dryer location. Use the straightest path possible. See "Determine Vent Length." Avoid 90° turns. Use clamps to seal all joints. Do not use duct tape, screws or other fastening devices that extend into the interior of the vent to secure vent.

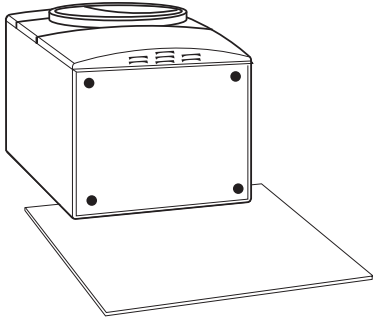
Install Leveling Legs

⚠ WARNING

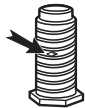
Excessive Weight Hazard

**Use two or more people to move and install dryer.
Failure to do so can result in back or other injury.**

1. To protect the floor, use a large flat piece of cardboard from the dryer carton. Place cardboard under the entire back edge of the dryer. See illustration.
2. Firmly grasp the body of the dryer (not the console panel). Gently lay the dryer on the cardboard.



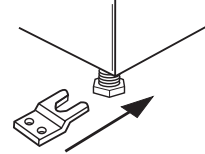
3. Examine the leveling legs. Find the diamond marking.



4. Screw the legs into the leg holes by hand. Use a wrench to finish turning the legs until the diamond marking is no longer visible.
5. Place a carton corner post under each of the 2 dryer back corners. Stand the dryer up. Slide the dryer on the corner posts until it is close to its final location. Leave enough room to connect the exhaust vent or gas line.
6. Once connection is made and dryer is in final location, remove corner posts and cardboard.

For mobile home use

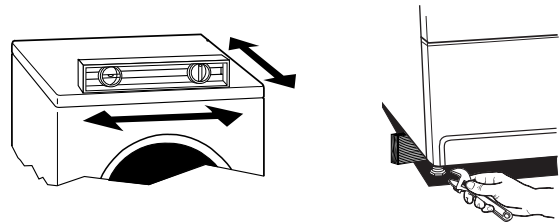
Gas dryers must be securely fastened to the floor at the time of installation.



Mobile home installations require a Mobile Home Installation Kit. For more information, please reference the service numbers in the "Assistance or Service" section of this manual.

Level Dryer

Check the levelness of the dryer. Check levelness first side to side, then front to back.



If the dryer is not level, prop up the dryer using a wood block. Use a wrench to adjust the legs up or down and check again for levelness.

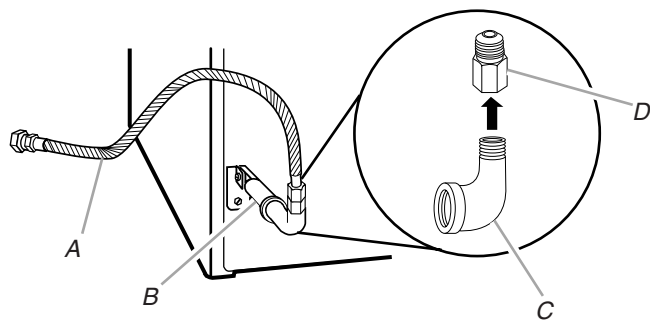
NOTE: It might be necessary to level the dryer again after it has been moved into its final position.

Make Gas Connection

1. Remove the red cap from the gas pipe. Move the dryer close to its final position.
2. Using a wrench to tighten, connect the gas supply to the dryer. Use pipe joint compound on all non-flared male threads. If flexible metal tubing is used, be sure there are no kinks.

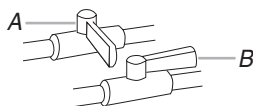
NOTE: For L.P. gas connections, you must use pipe joint compound resistant to the action of L.P. gas. Do not use TEFLON[®] tape.

A combination of pipe fittings must be used to connect the dryer to the existing gas line. Shown following is a recommended connection. Your connection may be different, according to the supply line type, size and location.



- A. $\frac{3}{8}$ " flexible gas connector
- B. $\frac{3}{8}$ " dryer pipe
- C. $\frac{3}{8}$ " to $\frac{1}{2}$ " pipe elbow
- D. $\frac{3}{8}$ " pipe-to-flare adapter fitting

3. Open the shutoff valve in the supply line. The valve is open when the handle is parallel to the gas pipe.



- A. Closed valve
- B. Open valve

4. Test all connections by brushing on an approved noncorrosive leak-detection solution. Bubbles will show a leak. Correct any leak found.

Connect Vent

1. Using a 4" (10.2 cm) clamp, connect vent to exhaust outlet in dryer. If connecting to existing vent, make sure the vent is clean. The dryer vent must fit over the dryer exhaust outlet and inside the exhaust hood. Make sure the vent is secured to exhaust hood with a 4" (10.2 cm) clamp.
2. Move dryer into final position. Do not crush or kink vent. Make sure dryer is level.
3. (On gas models) Check to be sure there are no kinks in the flexible gas line.

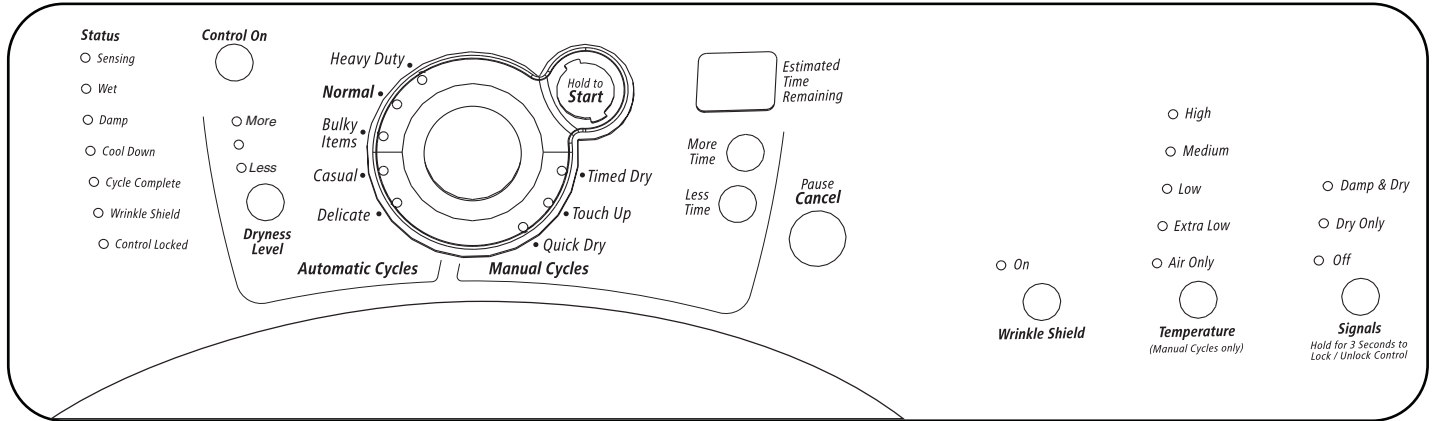
Complete Installation

1. Check to be sure all parts are now installed. If there is an extra part, go back through the steps to see which step was skipped.
2. Check to be sure you have all of your tools.
3. Dispose of all packaging materials.
4. Check the dryer's final location. Be sure the vent is not crushed or kinked.
5. Check to be sure the dryer is level. See "Level Dryer."
6. Plug into a grounded 3 prong outlet. Turn power on.
7. Remove the blue protective film on the console and any tape remaining on the dryer.
8. Read "Dryer Use."
9. Wipe the dryer drum interior thoroughly with a damp cloth to remove any dust.
10. Set the dryer on a full heat cycle (not an air cycle) for 20 minutes and start the dryer.

If the dryer will not start, check the following:

- Dryer is plugged into a grounded 3 prong outlet.
 - Electrical supply is connected.
 - House fuse is intact and tight, or circuit breaker has not tripped.
 - Dryer door is closed.
11. When the dryer has been running for 5 minutes, open the dryer door and feel for heat. If you do not feel heat, turn the dryer off and check to see that the gas supply line shutoff valve is open.
 - If the gas supply line shutoff valve is closed, open it, then repeat the 5-minute test as outlined above.
 - If the gas supply line shutoff valve is open, contact a qualified technician.

DRYER USE



Starting Your Dryer

! WARNING



Explosion Hazard

Keep flammable materials and vapors, such as gasoline, away from dryer.

Do not dry anything that has ever had anything flammable on it (even after washing).

Failure to follow these instructions can result in death, explosion, or fire.

! WARNING



Fire Hazard

No washer can completely remove oil.

Do not dry anything that has ever had any type of oil on it (including cooking oils).

Items containing foam, rubber, or plastic must be dried on a clothesline or by using an Air Cycle.

Failure to follow these instructions can result in death or fire.

- Place laundry in dryer and shut door. See "Loading."
- Rotate the dial to select either an Automatic or Manual Cycle then press the CONTROL ON button. The preset settings and drying time for the cycle chosen will be displayed.

To use an Automatic Cycle

- Point the dial to an Automatic Cycle.
- Select DRYNESS LEVEL to adjust how dry you want the load to be. The time displayed is an estimated length of the cycle based on the Dryness Level selected. As the cycle runs, the control senses the dryness of the load and adjusts the time automatically for the selected Dryness Level.

More



Less



Dryness Level

NOTE: Time is not adjustable for Automatic Cycles. Pressing the More Time or Less Time buttons will cause a triple beep, indicating that the time cannot be changed.

- Press the WRINKLE SHIELD™ feature button if this option is desired.
- Press the SIGNALS button to set signal volume to desired level.
- Press (and hold) HOLD TO START button until dryer starts (about 1 second).

Once an Automatic cycle has started, the WRINKLE SHIELD™ feature and the End of Cycle Signal level can be adjusted. Press the PAUSE/CANCEL key twice to stop the dryer and clear the settings, allowing you to select another cycle and Dryness Level.

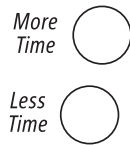
The following is a guide to starting your dryer. Please refer to specific sections of this manual for more detailed information.

- Clean lint screen before or after each cycle. See "Cleaning the Lint Screen."

To use a Manual Cycle

- Rotate the dial to select a Manual Cycle.

Press MORE TIME or LESS TIME until the desired drying time is displayed. Tap MORE TIME or LESS TIME and the time will change by 1-minute intervals. Press and hold MORE TIME or LESS TIME and the time will change by 5-minute intervals. The initial time displayed is the actual drying time.



NOTE: The More Time or Less Time feature can be used only with Manual Cycles.

- Press TEMPERATURE until the desired temperature glows.
- NOTE:** Pressing the Dryness Level button will cause the triple beep indicating that this option is not selectable. Also, a Dryness Level is not indicated.
- Press the WRINKLE SHIELD™ feature button if this option is desired.
- Press the SIGNALS button to set volume to desired level.
- Press (and hold) HOLD TO START button until dryer starts (about 1 second).

While a Manual Cycle is running, you can change the settings for Time, Temperature, the WRINKLE SHIELD™ feature, and the End of Cycle Signal. Press the PAUSE/CANCEL key twice to stop the dryer and clear the settings, allowing you to select another cycle.

Stopping Your Dryer

To stop your dryer at any time

Press PAUSE/CANCEL twice or open the door.

Pausing or Restarting

To pause the dryer at any time

Open the door or press PAUSE/CANCEL once.

To restart the dryer

Close the door and press (and hold) HOLD TO START button until dryer starts.

NOTE: Drying will continue from where the cycle was interrupted, if you close the door and press Start within 5 minutes. If the cycle is interrupted for more than 5 minutes, the dryer will shut off. Select new cycle settings before restarting the dryer.

Control Locked

This feature allows you to lock your settings to prevent unintended use of the dryer. You can also use the Control Locked feature to prevent unintended cycle or option changes during dryer operation.

To enable the Control Locked feature when dryer is running:

Press and hold the SIGNALS button for 3 seconds. The control is locked when a single beep is heard and the Control Locked status light is on.

- When the dryer is off, it is not necessary to press the Control On button before activating the Control Locked feature.

To unlock:

Press and hold the SIGNALS button for 3 seconds to turn this feature off.

NOTE: When the dryer is running and Control Locked is on, the dryer can be stopped by pressing the Pause/Cancel button, but can't be restarted until the control is unlocked.

Loading

Properly loading your dryer can lower your utility bill and prolong the life of your garments.

Loading suggestions

- Load the dryer by the amount of space items take up, not by their weight.
- Do not overload the dryer. This causes wrinkling and uneven drying.

Super Capacity Plus Dryers

Heavy Work Clothes

4 jeans	2 sweatpants
4 workpants	2 sweatshirts
4 workshirts	

Towels

10 bath towels	14 washcloths
10 hand towels	

Mixed Load

3 sheets (1 king, 2 twin)	9 T-shirts
4 pillowcases	9 shorts
3 shirts	10 handkerchiefs
3 blouses	

Drying and Cycle Tips

Select the correct cycle and dryness level or temperature for your load. If an Automatic Cycle is running, the display shows the estimated cycle time when your dryer is automatically sensing the dryness level of your load. If a Manual Cycle is running, the display shows the exact number of minutes remaining in the cycle.

Cool Down tumbles the load without heat during the last few minutes of all cycles. Cool Down makes the loads easier to handle and reduces wrinkling. The length of the Cool Down depends on the load size and dryness level.

Drying tips

- Follow care label directions when they are available.
- If desired, add a fabric softener sheet. Follow package instructions.
- Remove the load from the dryer as soon as tumbling stops to reduce wrinkling. This is especially important for permanent press, knits, and synthetic fabrics.
- Avoid drying heavy work clothes with lighter fabrics. This could cause overdrying of lighter fabrics, leading to increased shrinkage or wrinkling.
- If you dry sheets in a mixed load or large items in the “Bulky Items” cycle, rearrange the load when the Damp & Dry Signal sounds. This will aid in the drying process.

Cycle tips

- Dry most loads using the preset cycle settings.
- Refer to the Automatic or Manual Preset Cycle Settings chart (in the “Cycles” section) for a guide to drying various loads.
 - Drying temperature and Dryness Level are preset when you choose an Automatic Cycle. You can choose a different dryness level, depending on your load by pressing the DRYNESS LEVEL button to select MORE or LESS.
 - If you wish to adjust the cycle length of a Manual Cycle, you must press MORE TIME or LESS TIME. Adjust the temperature of a Manual Cycle by pressing TEMPERATURE until the desired temperature is selected.

NOTE: You cannot choose a Dryness Level with Manual Cycles.

Status Lights

You may follow the progress of your dryer with the drying Status indicator lights.

Status

- Sensing
- Wet
- Damp
- Cool Down
- Cycle Complete
- Wrinkle Shield
- Control Locked

Sensing

When a cycle is first turned on, the SENSING light glows until a wet item is detected.

- In an Automatic Cycle, if a wet item has not been detected within 10 minutes, the Sensing light will turn off and the dryer will shut down.
- In a Manual Cycle, if a wet item is not detected after 10 minutes the Wet light turns on and the selected cycle continues.

Wet

The WET light will turn on when a wet item has been detected in the dryer. The Wet light will remain on until:

- The damp dry point is reached in an Automatic Cycle.
- The dryer enters the cool down period in a Manual Cycle.

Damp

The DAMP light indicates that the load has reached the damp dry level.

NOTE: The Damp light is not used with manual cycles.

Cool Down

The COOL DOWN light glows during the cool down part of the cycle. Laundry is cooling down for ease in handling.

Cycle Complete

This light glows when a drying cycle is finished. If the WRINKLE SHIELD™ feature has been selected, the WRINKLE SHIELD™ feature indicator light will also be on.

The Cycle Complete light turns off one hour after the end of a drying cycle (including the WRINKLE SHIELD™ cycle of 2 hours), when Pause/Cancel is pressed, or when the door is opened.

WRINKLE SHIELD™ Feature

The WRINKLE SHIELD™ feature light glows when this option is selected. This indicator stays on with the Cycle Complete light.

Control Locked

The CONTROL LOCKED light glows when this option is enabled.

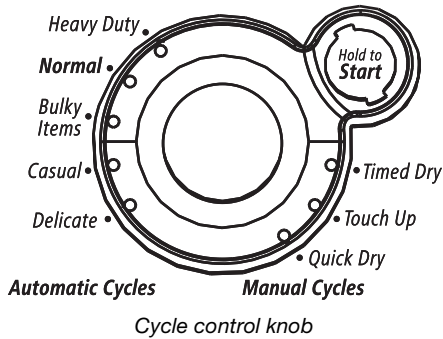
Indicator lights

Other indicator lights on the control panel show Cycle, Temperature, and Signals settings selected.

The time display will indicate the estimated or actual time remaining in a cycle.

Cycles

Select the drying cycle that matches the type of load you are drying (see Automatic Preset or Manual Preset Cycle Settings charts).



Automatic Cycles

Automatic Cycles allow you to match the cycle to the load you are drying. See the following “Automatic Preset Cycle Settings” chart. Each cycle dries certain fabrics at the recommended temperature. A sensor detects the moisture in the load and automatically adjusts the drying time for optimal drying.

Heavy Duty

Use this cycle to get High heat for heavy fabrics such as cotton towels or bedspreads.

Normal

Use this cycle to get Medium heat for drying sturdy fabrics such as work clothes.

Bulky Items

Use this cycle to get medium heat for drying large items that require very long drying times, such as jackets, comforters and pillows. Rearrange the load when the Damp & Dry signal sounds. This will aid in the drying process.

Casual

Use this cycle to get Low heat for drying no-iron fabrics, such as sport shirts, casual business clothes and permanent press blends.

Delicate

Use this cycle to get Extra Low heat to gently dry items such as lingerie or washable knit fabrics.

Automatic Preset Cycle Settings

Automatic Cycles Load Type	Temperature	Time* (Minutes)
HEAVY DUTY Heavyweight, towels	High	40
NORMAL Corduroys, work clothes	Medium	34
BULKY ITEMS Jackets, comforters, pillows	Medium	64
CASUAL Permanent press, synthetics	Low	36
DELICATE Exercise wear, lingerie, blouses, washable woolens	Extra Low	22

*Estimated Time with Dryness Level (medium) setting. Time will vary depending on load type and load size.

Manual Cycles

Use Manual Cycles to select a specific amount of drying time and a drying temperature. When a Manual Cycle is selected, the ESTIMATED TIME REMAINING display shows the actual time remaining in your cycle. You can change the actual time in the cycle by pressing MORE TIME or LESS TIME.

Timed Dry

Use this cycle to complete drying if items are still damp after an Automatic Cycle. Timed Dry is also useful for drying heavyweight and bulky items, such as bedspreads and work clothes. Lightweight garments, such as exercise wear, can be dried using Timed Dry on a Low temperature setting.

Touch Up

Use this setting to remove wrinkles from items, such as clothes packed in a suitcase or items wrinkled from being left in the dryer too long.

Quick Dry

Use this cycle for drying small loads or loads that need a short drying time.

Manual Preset Cycle Settings

Manual Cycles Load Type	Temperature	Default Time (Minutes)
TIMED DRY Heavyweight, bulk, bedspreads, work clothes	High	40
TOUCH UP Remove wrinkles	Medium	20
QUICK DRY Small loads	High	23

Additional Features

WRINKLE SHIELD™ Feature


When you are unable to remove a load of clothes from the dryer as soon as it stops, wrinkles can form. The WRINKLE SHIELD™ feature periodically tumbles, rearranges and fluffs the load to avoid wrinkles.

- Press the WRINKLE SHIELD™ feature to get up to 120 minutes of heat-free, periodic tumbling at the end of a cycle.
- Stop at any time by pressing the WRINKLE SHIELD™ feature or opening the dryer door.
- For the Casual Cycle, the WRINKLE SHIELD™ feature is preset to “ON.” The other Automatic Cycles will retain the WRINKLE SHIELD™ feature setting. (For example, if you select the WRINKLE SHIELD™ feature in the Normal cycle, the WRINKLE SHIELD™ feature will be on the next time you select the Normal cycle.)

NOTE: If you do not select the WRINKLE SHIELD™ feature, the dryer stops after the cool down period.

Temperature

Temperature settings are used with the Manual Cycles. Press TEMPERATURE until the desired temperature setting glows. Temperature settings cannot be used with the Automatic Cycles.

- High
 - Medium
 - Low
 - Extra Low
 - Air Only
- 

Temperature
(Manual Cycles only)

Air Only

Use the Air Only setting for items that require drying without heat such as rubber, plastic and heat-sensitive fabrics. This chart shows examples of items that can be dried using Air Only.

Type of Load	Time* (Minutes)
Foam rubber - pillows, padded bras, stuffed toys	20 - 30
Plastic - Shower curtains, tablecloths	20 - 30
Rubber-backed rugs	40 - 50
Olefin, polypropylene, sheer nylon	10 - 20

*Reset time to complete drying, if needed.

When using Air Only

- Check to see that coverings are securely stitched.
- Shake and fluff pillows by hand periodically during the cycle.
- Dry item completely. Foam rubber pillows are slow to dry.

NOTE: Automatic Cycles are not available when using the Air Only setting.

Signals

The Dry Only setting produces an audible sound when the drying cycle is finished. Promptly removing clothes at the end of the cycle reduces wrinkling.

The Damp & Dry Signal is useful when drying bedsheets/linens in a mixed load or large items in the “Bulky Items” cycle. When the signal sounds, rearrange the load inside the dryer, close the door and restart the dryer to finish the drying cycle. Rearranging the load will aid in the drying process.

For the “Bulky Items” cycle, “Damp & Dry” is preset to ON.

Damp & Dry

Dry Only

Off



Press and release the SIGNALS button to change the setting.

NOTE: When the WRINKLE SHIELD™ feature is selected and the Signals setting is on, an audible sound will emit every 5 minutes until the clothes are removed, or the WRINKLE SHIELD™ feature is finished.

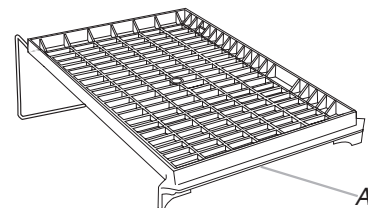
Drying Rack

The drying rack is useful for drying items you would not necessarily want to tumble dry or that you would normally line dry (for example, sweaters).

To use the drying rack

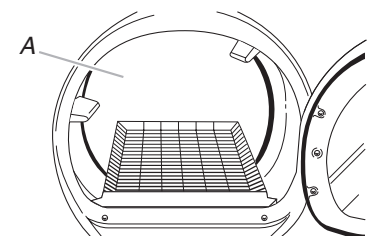
Do not remove the lint screen.

1. Open dryer door.



A. Front edge

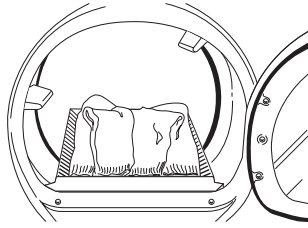
2. Place drying rack inside dryer drum, positioning the back wire on the ledge of the inner dryer back panel. Push down on front edge of drying rack to secure over the lint screen.



A. Dryer back panel

- Put the wet items on top of the rack. Leave space between the items so air can reach all the surfaces.

NOTE: Do not allow items to hang over the edge of the rack.



- Close the door.
- Select a timed drying cycle and temperature, or an air cycle (see following chart). Items containing foam, rubber, or plastic must be dried on a clothesline or by using the Air Only temperature setting.
- You must select a time by pressing MORE TIME or LESS TIME. Reset time as needed to complete drying. Refer to the following table.
- Press (and hold) HOLD TO START button (about 1 second).

NOTE: You must remove rack for normal tumbling. Do not use automatic cycles with the drying rack.

This chart shows examples of items that can be rack dried and the suggested cycle, temperature setting and drying time. Actual drying time will depend on the amount of moisture items hold.

Rack Dry	Setting	Temp.	Time*
Wool Sweaters Block to shape and lay flat on the rack.	Timed Dry	Low	60
Stuffed toys or pillows Cotton or polyester fiber filled	Timed Dry	Low	60
Stuffed toys or pillows Foam rubber filled	N/A	Air Only (no heat)	90
Sneakers or canvas shoes	N/A	Air Only (no heat)	90

*(Minutes) Reset time to complete drying, if needed.

DRYER CARE

Cleaning the Dryer Location

Keep dryer area clear and free from items that would obstruct the flow of combustion and ventilation air.

⚠ WARNING



Explosion Hazard

Keep flammable materials and vapors, such as gasoline, away from dryer.

Place dryer at least 18 inches (46 cm) above the floor for a garage installation.

Failure to do so can result in death, explosion, or fire.

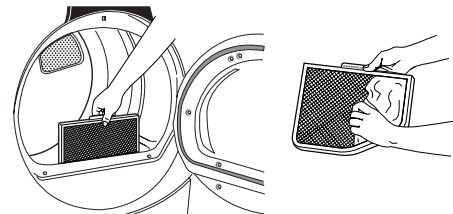
Cleaning the Lint Screen

Every load cleaning

The lint screen is located in the door opening of the dryer. Clean it before or after each load. A screen blocked by lint can increase drying time.

To clean

- Pull the lint screen straight up. Roll lint off the screen with your fingers. Do not rinse or wash screen to remove lint. Wet lint is hard to remove.



- Push the lint screen firmly back into place.

IMPORTANT:

- Do not run the dryer with the lint screen loose, damaged, blocked, or missing. Doing so can cause overheating and damage to both the dryer and fabrics.
- Some towels made of synthetic fibers and natural fibers (polyester and cotton blends) may shed more lint than other towels, causing your dryer's lint screen to fill up faster. Be sure to remove lint from the lint screen before and after drying new towels.
- If lint falls off the screen into the dryer during removal, check the exhaust hood and remove the lint. See "Venting Requirements."

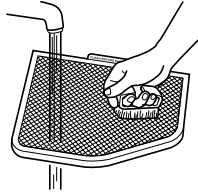
As needed cleaning

Laundry detergent and fabric softener residue can build up on the lint screen. This buildup can cause longer drying times for your clothes, or cause the dryer to stop before your load is completely dry. The screen is probably clogged if lint falls off the screen.

Clean the lint screen with a nylon brush every 6 months, or more frequently, if it becomes clogged due to a residue buildup.

To wash

1. Roll lint off the screen with your fingers.
2. Wet both sides of lint screen with hot water.
3. Wet a nylon brush with hot water and liquid detergent. Scrub lint screen with the brush to remove residue buildup.



4. Rinse screen with hot water.
5. Thoroughly dry lint screen with a clean towel. Replace screen in dryer.

Cleaning the Dryer Interior

To clean dryer drum

1. Make a paste with powdered laundry detergent and very warm water.
2. Apply paste to a soft cloth.
OR
Apply a liquid, nonflammable household cleaner to the stained area and rub with a soft cloth until all excess dye and stains are removed.
3. Wipe drum thoroughly with a damp cloth.
4. Tumble a load of clean cloths or towels to dry drum.

NOTE: Garments which contain unstable dyes, such as denim blue jeans or brightly colored cotton items, may discolor the dryer interior. These stains are not harmful to your dryer and will not stain future loads of clothes. Dry unstable dye items inside out to prevent dye transfer.

Removing Accumulated Lint

From Inside the Dryer Cabinet

Lint should be removed every 2 years or more often, depending on dryer usage. Cleaning should be done by a qualified person.

From the Exhaust Vent

Lint should be removed every 2 years, or more often, depending on dryer usage.

Vacation and Moving Care

Vacation care

Operate your dryer only when you are at home. If you will be on vacation or not using your dryer for an extended period of time, you should:

1. Unplug dryer or disconnect power.
2. Close shutoff valve in gas supply line.
3. Clean lint screen. See "Cleaning the Lint Screen."

Moving care

1. Unplug the power supply cord.
2. Close shutoff valve in gas supply line.
3. Disconnect gas supply line pipe and remove fittings attached to dryer pipe.
4. Cap the open fuel supply line.
5. Make sure leveling legs are secure in dryer base.
6. Use masking tape to secure dryer door.

Changing the Drum Light

The dryer light automatically turns on inside the dryer drum when you open the door.

To change the drum light

1. Unplug dryer or disconnect power.
2. Open the dryer door. Locate the light bulb cover on the back wall of the dryer. Remove the screw located in the lower right corner of the cover. Remove the cover.
3. Turn bulb counterclockwise. Replace the bulb with a 10-watt appliance bulb only. Replace the cover and secure with the screw.
4. Plug in dryer or reconnect power.

TROUBLESHOOTING

First try the solutions suggested here and possibly avoid the cost of a service call...

Dryer displaying code message

- **“PF” (power failure), check the following:**
Was the drying cycle interrupted by a power failure?
Press (and hold) HOLD TO START button to restart the dryer.
- **“E” Variable (E1, E2, E3) service codes:**
Call for service.

Clothes are not drying satisfactorily

- **Check the following:**
Is the lint screen clogged with lint?

Is the exhaust vent or outside exhaust hood clogged with lint, restricting air movement? Run the dryer for 5-10 minutes. Hold your hand under the outside exhaust hood to check air movement. If you do not feel air movement, clean exhaust system of lint or replace exhaust vent with heavy metal or flexible metal vent. See “Installation Instructions.”

Is the exhaust vent crushed or kinked? Replace with a heavy metal or flexible metal vent. See “Installation Instructions.”

Has a fuse blown, or has a circuit breaker tripped?

Has an air cycle been selected? Select the right cycle for the types of garments being dried. See “Cycles.”

Is the automatic cycle ending early? The load may not be contacting the electronic sensor strips, level the dryer.

Is the valve open on the gas supply line?

Are fabric softener sheets blocking the grille? Use only one fabric softener sheet and only use it once.
- **Is the dryer located in a room with temperature below 45°F (7°C)?**
Proper operation of dryer cycles requires temperatures above 45°F (7°C).
- **Was a cold rinse water used? Was the load very wet?**
Expect longer drying times with items rinsed in cold water and with items that hold moisture (cottons).
- **Is the load too large and heavy to dry quickly?**
Separate the load to tumble freely.

Dryer will not run

- **Check the following:**
Is the power cord plugged in?

Has a fuse blown, or has a circuit breaker tripped?

Was a regular fuse used? Use a time-delay fuse.

Is the dryer door firmly closed?

Was HOLD TO START firmly pressed and held for at least 1 second?

Is a cycle selected?

Unusual sounds

- **Has the dryer had a period of non-use?**
If the dryer hasn’t been used for a while, there may be a thumping sound during the first few minutes of operation.

The gas valve clicking is a normal operating sound.

Lint on load

- **Is the lint screen clogged?**
Clean lint screen. Check for air movement.
- **Is load properly sorted?**
Sort lint givers (towels, chenille) from lint takers (corduroy, synthetics). Also sort by color.
- **Is the load too big or too heavy?**
Dry smaller loads so lint can be carried to the lint screen.
- **Was the load overdried?**
Use correct dryer settings for load type. See “Cycles.”
Overdrying can cause lint-attracting static electricity.
- **Was paper or tissue left in pockets?**
- **Is pilling being mistaken for lint?**
Pilling (surface fuzz) is caused by normal wear and laundering.

Stains on load or color change

- **Was dryer fabric softener properly used?**
Add dryer fabric softener sheets at the beginning of the cycle when the load is cold. Do not add fabric softener sheets to a warm load.
- **Were items soiled when placed in the dryer?**
Items should be clean before being dried.
- **Were items properly sorted?**
Sort light colors from dark colors. Sort colorfast items from noncolorfast items.

Items shrinking

- **Was the dryer overloaded?**
Dry smaller loads that can tumble freely.
- **Did the load overdry?**
Check the manufacturer’s care label. Match dryer setting to load type. See “Cycles.”

Loads are wrinkled

- **Was load removed from dryer at the end of the cycle?**
- **Was dryer overloaded?**
Dry smaller loads that can tumble freely.
- **Did load overdry?**
Check the manufacturer’s care label. Match dryer setting to load type. See “Cycles.”

Odors

- **Have you recently been painting, staining or varnishing in the area where your dryer is located?**
If so, ventilate the area. When the odors or fumes are gone from the area, rewash and dry the clothing.

Garment damage

- **Check the following:**
 - Were zippers, snaps, and hooks left open?
 - Were strings and sashes tied to prevent tangling?
 - Were care label instructions followed?
 - Were items damaged before drying?

ASSISTANCE OR SERVICE

Before calling for assistance or service, please check "Troubleshooting." It may save you the cost of a service call. If you still need help, follow the instructions below.

When calling, please know the purchase date and the complete model and serial number of your appliance. This information will help us to better respond to your request.

If you need replacement parts

If you need to order replacement parts, we recommend that you use only FSP® factory specified parts. These parts will fit right and work right because they are made with the same precision used to build every new WHIRLPOOL® appliance. To locate FSP® replacement parts in your area, call our Customer Interaction Center telephone number or your nearest designated service center.

For assistance and service

Call the Whirlpool Customer Interaction Center toll free: **1-800-253-1301**.

Our consultants provide assistance with:

- Features and specifications on our full line of appliances
- Installation information
- Use and maintenance procedures
- Accessory and repair parts sales
- Specialized customer assistance (Spanish speaking, hearing impaired, limited vision, etc.)
- Referrals to local dealers, repair parts distributors, and service companies

Whirlpool designated service technicians are trained to fulfill the product warranty and provide after-warranty service, anywhere in the United States.

To locate the Whirlpool designated service company in your area, you can also look in your telephone directory Yellow Pages.

For further assistance

If you need further assistance, you can write to Whirlpool Corporation with any questions or concerns at:

Whirlpool Corporation
Customer Interaction Center
553 Benson Road
Benton Harbor, MI 49022-2692

Please include a daytime phone number in your correspondence.

Accessories U.S.A.

To order accessories, call the Whirlpool Customer Interaction Center toll free at **1-800-442-9991** and follow the menu prompts. Or visit our website at **www.whirlpool.com**.

Notes

WHIRLPOOL® DRYER WARRANTY

ONE YEAR FULL WARRANTY

For one year from the date of purchase, when this dryer is operated and maintained according to instructions attached to or furnished with the product, Whirlpool Corporation will pay for FSP® replacement parts and repair labor costs to correct defects in materials or workmanship. Service must be provided by a Whirlpool designated service company.

SECOND YEAR LIMITED WARRANTY ON ELECTRONIC CONTROL BOARDS

In the second year from the date of purchase, when this dryer is operated and maintained according to instructions attached to or furnished with the product, Whirlpool Corporation will pay for FSP® replacement parts to replace the electronic control boards if defective in materials or workmanship.

SECOND THROUGH FIFTH YEAR LIMITED WARRANTY ON PORCELAIN TOP

In the second through fifth years from the date of purchase, when this dryer is operated and maintained according to instructions attached to or furnished with the product, Whirlpool Corporation will pay for FSP® replacement parts to replace the porcelain top should it chip or rust due to defective materials or workmanship.

Whirlpool Corporation will not pay for:

1. Service calls to correct the installation of your dryer, including venting. Heavy 4" (10.2 cm) metal exhaust vent must be used. Refer to the venting section of this manual and your Installation Instructions.
 2. Service calls to instruct you how to use your dryer, to replace house fuses or correct house wiring or reset circuit breakers, or to replace owner accessible light bulbs.
 3. Repairs when your dryer is used in other than normal, single-family household use.
 4. Damage resulting from accident, alteration, misuse, abuse, fire, floods, acts of God, improper installation (including, but not limited to, venting with plastic or flexible foil), installation not in accordance with local electrical and plumbing codes, or use of products not approved by Whirlpool Corporation.
 5. Replacement parts or repair labor costs for units operated outside the United States.
 6. Pickup and delivery. This product is designed to be repaired in the home.
 7. Repairs to parts or systems resulting from unauthorized modifications made to the appliance.
 8. Any labor costs incurred during the Limited Warranty periods.
-

WHIRLPOOL CORPORATION SHALL NOT BE LIABLE FOR INCIDENTAL OR CONSEQUENTIAL DAMAGES.

Some states do not allow the exclusion or limitation of incidental or consequential damages, so this exclusion or limitation may not apply to you. This warranty gives you specific legal rights and you may also have other rights which vary from state to state.

Outside the 50 United States, this warranty does not apply. Contact your authorized Whirlpool dealer to determine if another warranty applies.

If you need service, first see "Troubleshooting." Additional help can be found by checking "Assistance or Service," or by calling our Customer Interaction Center at **1-800-253-1301**, from anywhere in the U.S.A. or write: Whirlpool Corporation, Customer Interaction Center, 553 Benson Road, Benton Harbor, MI 49022-2692.

7/03

Keep this book and your sales slip together for future reference. You must provide proof of purchase or installation date for in-warranty service.

Write down the following information about your dryer to better help you obtain assistance or service if you ever need it. You will need to know your complete model number and serial number. You can find this information on the model and serial number label, located at the top inside dryer door well.

Dealer name _____
Address _____
Phone number _____
Model number _____
Serial number _____
Purchase date _____

